

**MAXIMUM RECOMMENDED
PANEL SIZES**

NOTE:

- GREATER COLOR VARIATION SHOULD BE EXPECTED WITH LARGER PANELS



318 WEST WASHINGTON STREET
VALDERS, WISCONSIN 54245
T: 920.775.4151 ~ F: 920.775.4087
www.valdersstone.com

MATERIALS:

VALDERS BUFF, DOVEWHITE & DOVEWHITE BLUSH

AVAILABLE FINISHES:

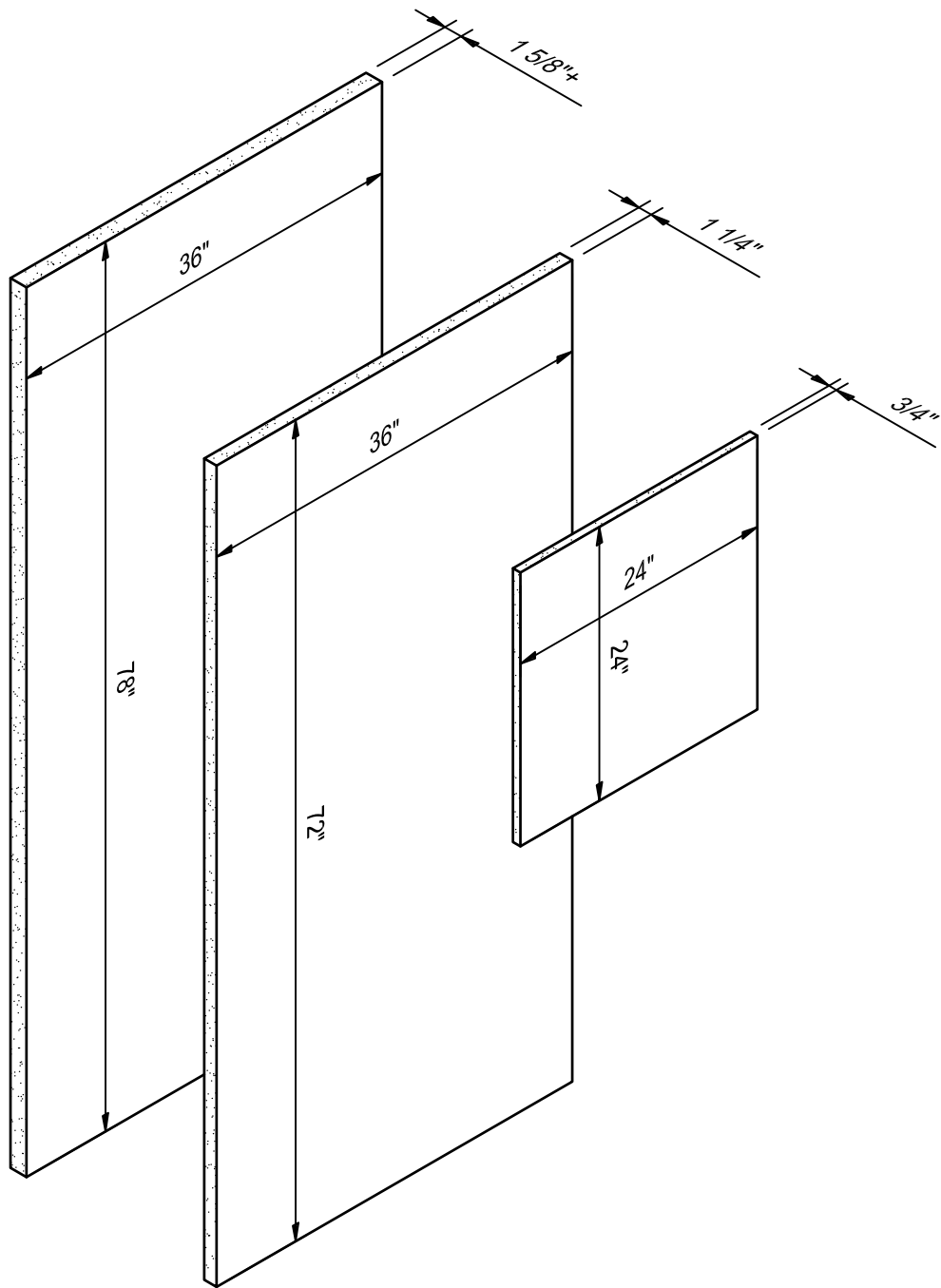
HONED OR SANDBLAST

VSM #:

MRPS

SHEET:

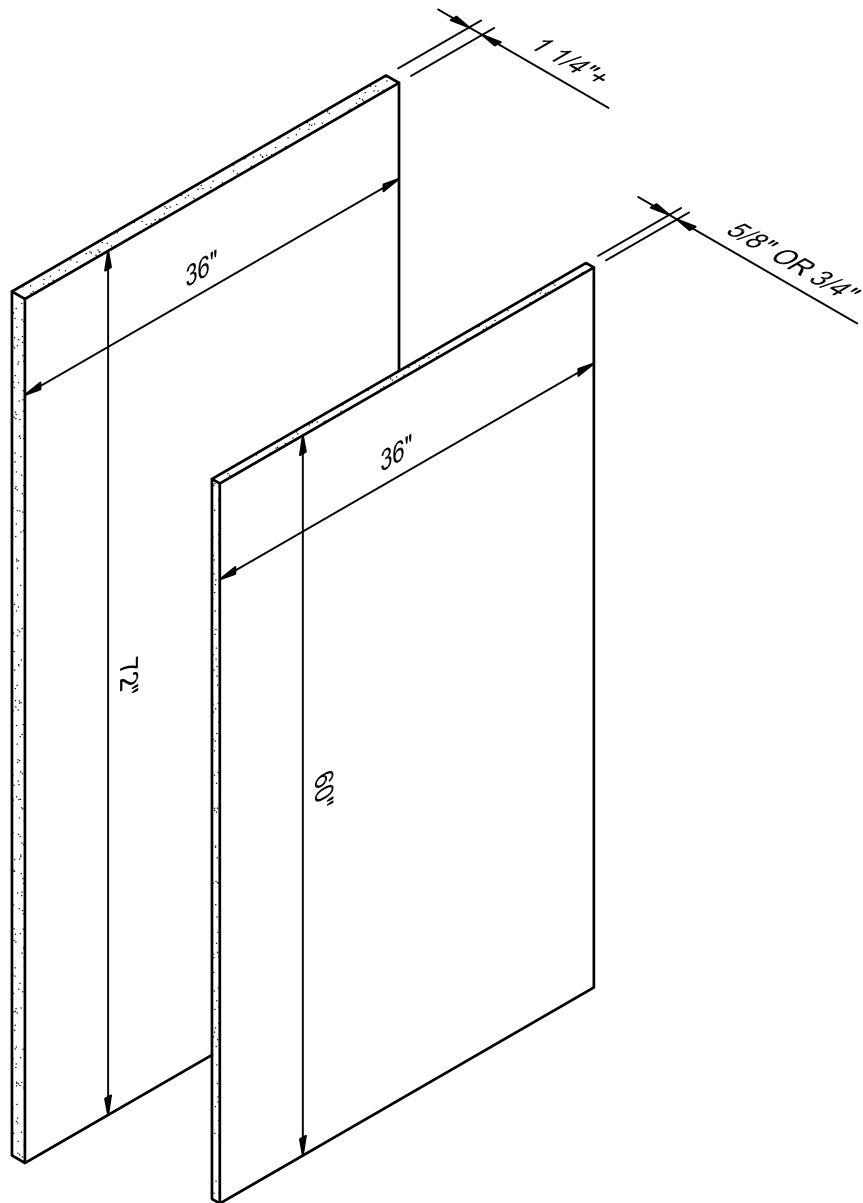
VSK-PN1



**MAXIMUM RECOMMENDED
PANEL SIZES**

NOTE:

- GREATER COLOR VARIATION SHOULD BE EXPECTED WITH LARGER PANELS
- * 2" MINIMUM RECOMMENDED THICKNESS FOR BUSHHAMMER FINISH



**MAXIMUM RECOMMENDED
PANEL SIZES**

NOTE:

- GREATER COLOR VARIATION SHOULD BE EXPECTED WITH LARGER PANELS



318 WEST WASHINGTON STREET
VALDERS, WISCONSIN 54245
T: 920.775.4151 ~ F: 920.775.4087
www.valdersstone.com

MATERIALS:

VALDERS PLATINUM OR GRAY

VSM #:

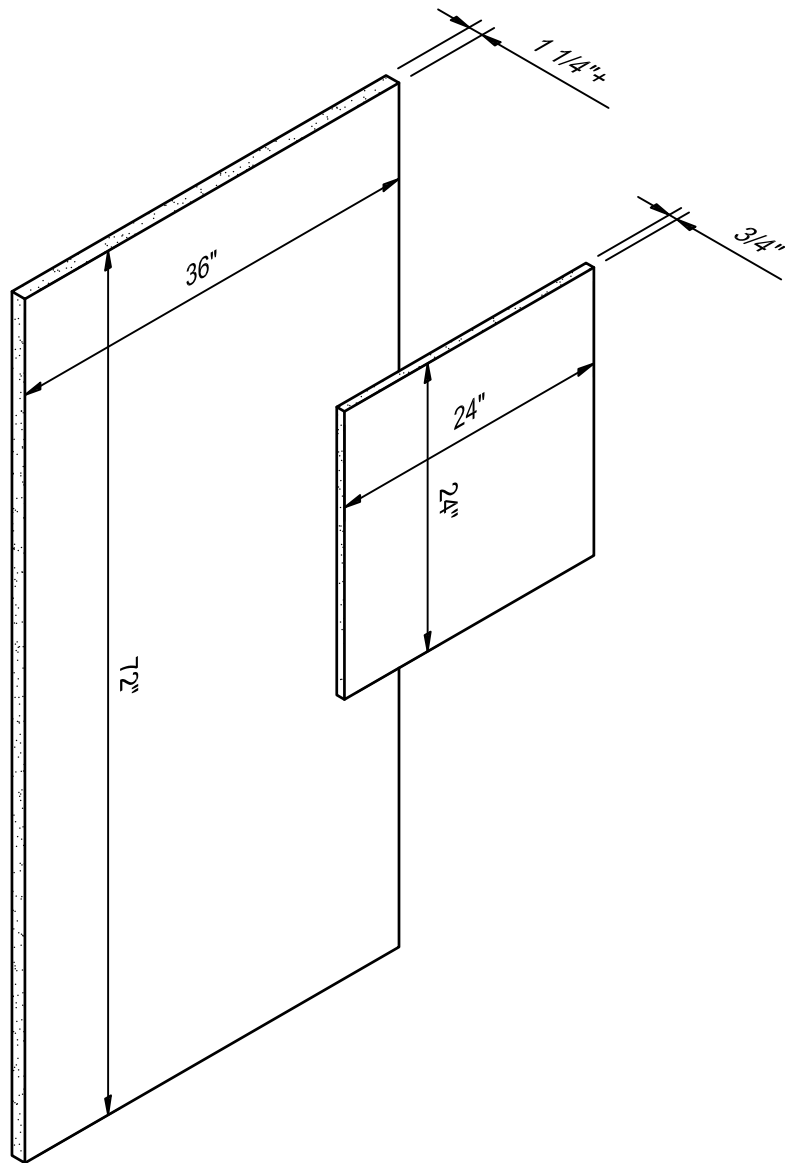
MRPS

AVAILABLE FINISHES:

HONED OR SANDBLAST

SHEET#:

VSK-PN3



**MAXIMUM RECOMMENDED
PANEL SIZES**

NOTE:

- GREATER COLOR VARIATION SHOULD BE EXPECTED WITH LARGER PANELS
- * 2" MINIMUM RECOMMENDED THICKNESS FOR BUSHHAMMER FINISH



318 WEST WASHINGTON STREET
VALDERS, WISCONSIN 54245
T: 920.775.4151 ~ F: 920.775.4087
www.valdersstone.com

MATERIALS:

VALDERS PLATINUM OR GRAY

VSM #:

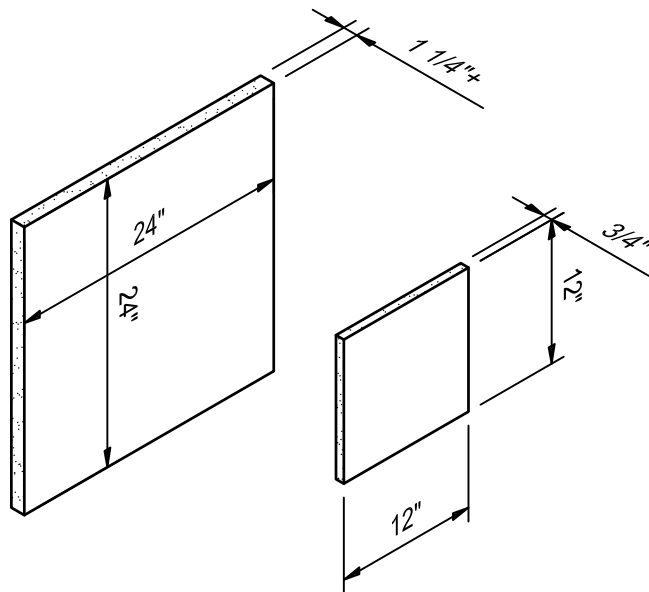
MRPS

AVAILABLE FINISHES:

FLAMED, HIGH POLISH OR BUSHHAMMER*

SHEET:

VSK-PN4



**MAXIMUM RECOMMENDED
PANEL SIZES**

NOTE:

- NO BUSHHAMMER OR FLAME FINISH ON VALDERS RIVER BLUFF OR ANTIQUE



318 WEST WASHINGTON STREET
VALDERS, WISCONSIN 54245
T: 920.775.4151 ~ F: 920.775.4087
www.valdersstone.com

MATERIALS:

VALDERS RIVER BLUFF & ANTIQUE

VSM#:

MRPS

AVAILABLE FINISHES:

HONED, SANDBLAST OR HIGH POLISH

SHEET#:

VSK-PN5